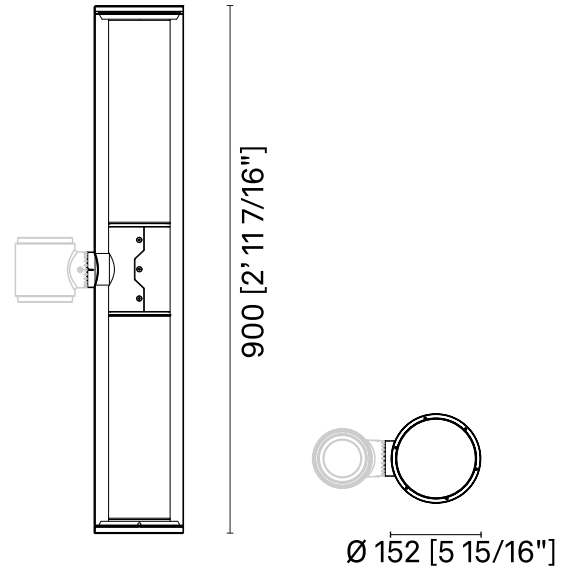


Nebula Venezia | Luminaire



Ordering Information / Guide

Example: **LUNEBV0-N-D33-827-L010-ST-V1-F06-M2-CGT**

Optique	Ra+K	Luminous flux	Screen finish	Power supply	Driver Function	ISO Class	Finish
D29 Medium wide flood	827 Ra80 2700 K	L010 1000 lm	ST Transparent	V1 220V-240V	F06 DALI+CLO	M2 Class II	CGT Grey [RAL 9006] TXT + Clear ribbed
D69 Wide flood	830 Ra80 3000 K	L015 1500 lm	SP Prismatic		F14 NVL6H+CLO		
D33 Flood	840 Ra80 4000 K	L025 2500 lm					
D16 Flood							
D01 Type I							
D03 Type II							
D11 Type IV							
D14 Type V							

Generated code: **LUNEBV0 - N** - _____

Nebula Venezia | Luminaire

ELECTRICAL CHARACTERISTICS

Cable length 9 m

INSTALLATION

Joint with tilt adjustment.
Infinite adjustment possible without intermediate steps.
Fastening via four M8 stainless steel grub screws with locknuts.

WARNINGS

Luminaire designed for disposal/recycling at end-of-life.
Replaceable (LED only) light source by a professional.
Replaceable control gear by a professional.
Protection of surfaces: please refer to the specification on painting procedures of the materials.